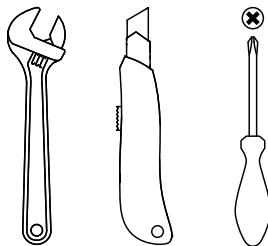




**SHICHIRIN LARGE
RECTANGULAR
INSTRUCTION MANUAL**

YAKINIKUGRILL.COM

TOOLS



BEFORE YOU START ASSEMBLING

Assemble the Shichirin on a stable surface (such as a table or floor) to avoid damaging the product.

Please take the time to read the safety tips carefully.

If you have any questions regarding the assembly of the Shichirin, please contact the YAKINIKU® head office.

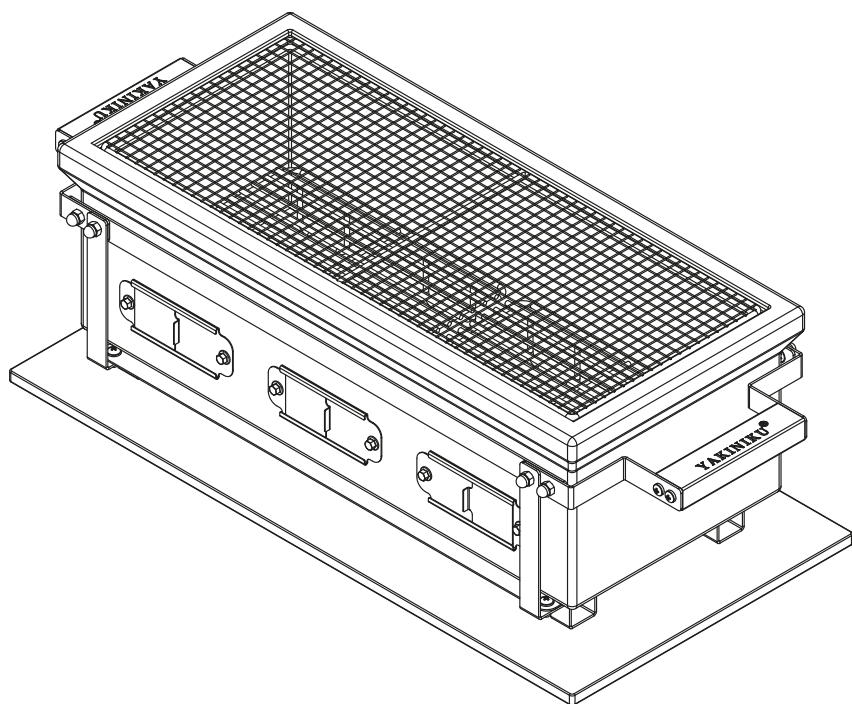


Always lift the Shichirin by the handles. After use, the ceramic may still be hot.

Always place the Shichirin on the bamboo plank to protect the surface beneath it from burning.

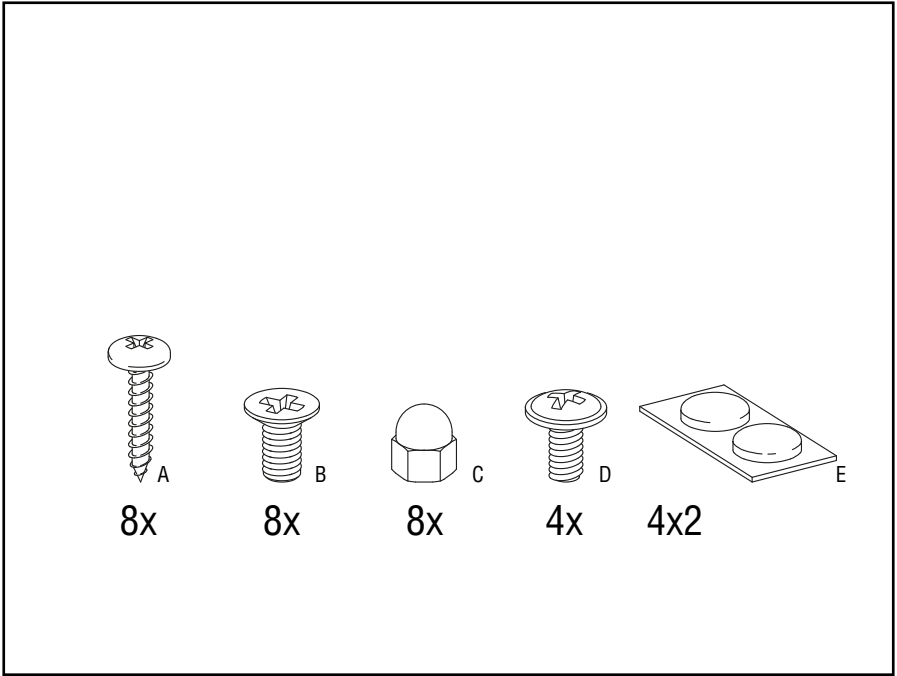
CAUTION: SEE SAFETY NOTICE
YAKINIKUGRILL.COM/SAFETY-TIPS

© YAKINIKU B.V. All rights reserved worldwide. No part of this document may be reproduced or transmitted in any form or by any means, digital, electronic, mechanical, photocopying, recording or otherwise, without the prior written permission of YAKINIKU®. All images and materials are protected by © copyright and all rights are reserved in any medium and in any form of reproduction worldwide. Any use of these materials, including reproduction, modification, distribution or republication, without the prior written consent of YAKINIKU® B.V. is strictly prohibited. YAKINIKU®, including the YAKINIKU® logo, are trademarks and/or registered trademarks of YAKINIKU® B.V. in the Netherlands and other countries worldwide. All rights reserved worldwide. Warning: The unauthorised reproduction or distribution of this copyrighted work is illegal. Criminal copyright infringement, including infringement without monetary gain, is investigated and is punishable by up to five years in federal prison and a fine of €350,000.

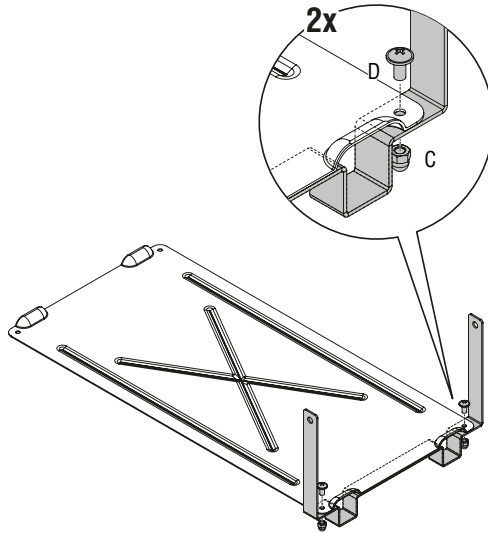


SHICHRIN **LARGE** RECTANGULAR

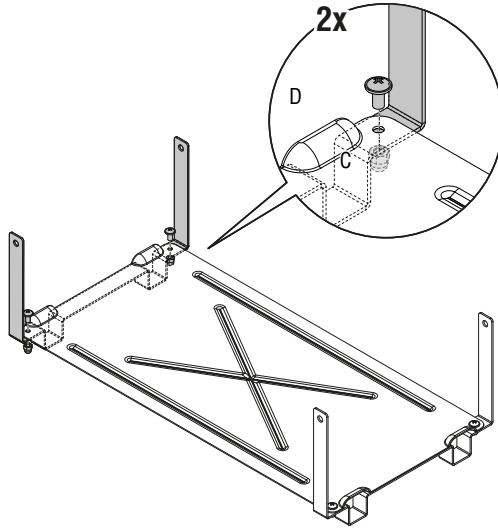
Art. no. 800850



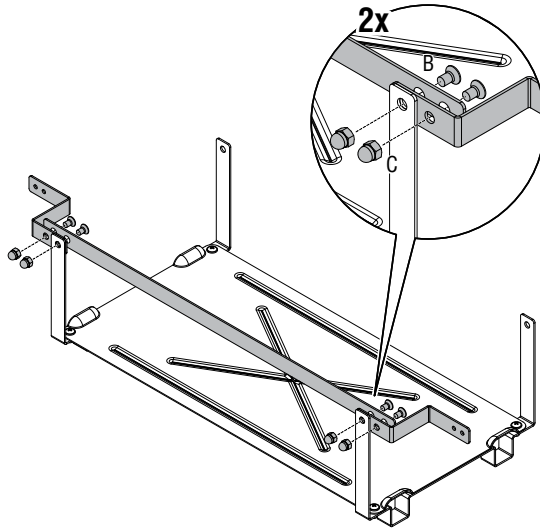
1.



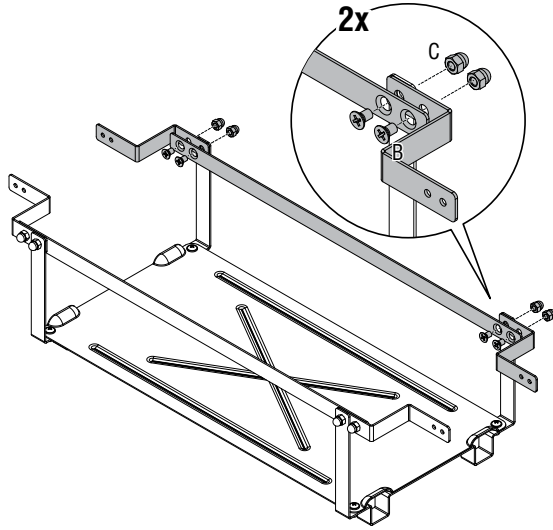
2.



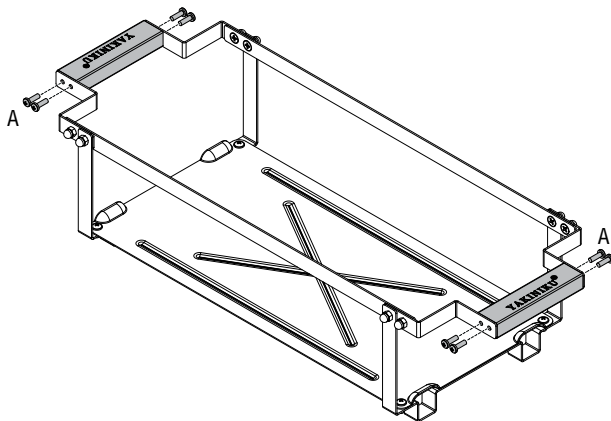
3.



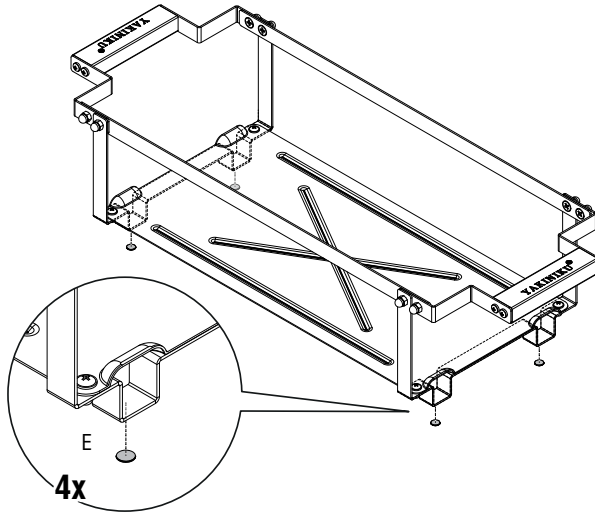
4.



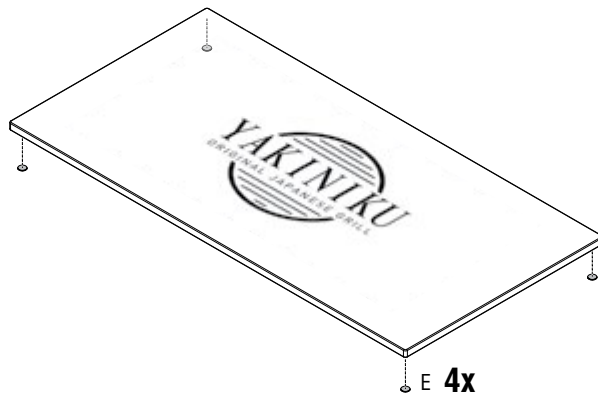
5.



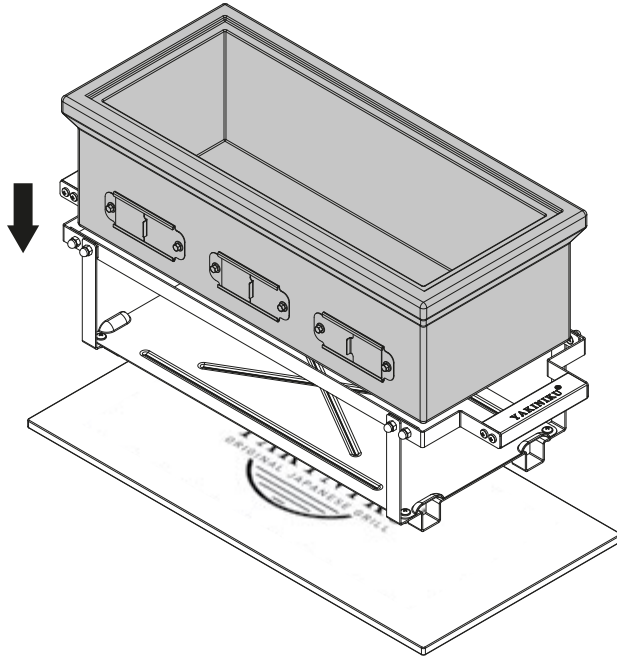
6.



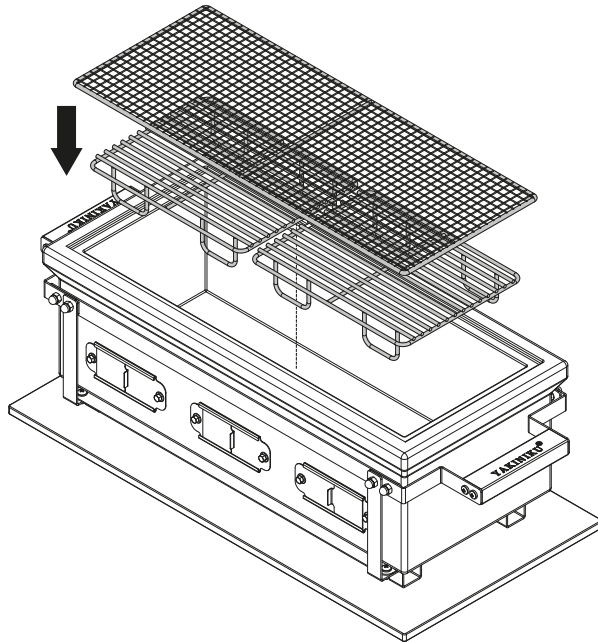
7.



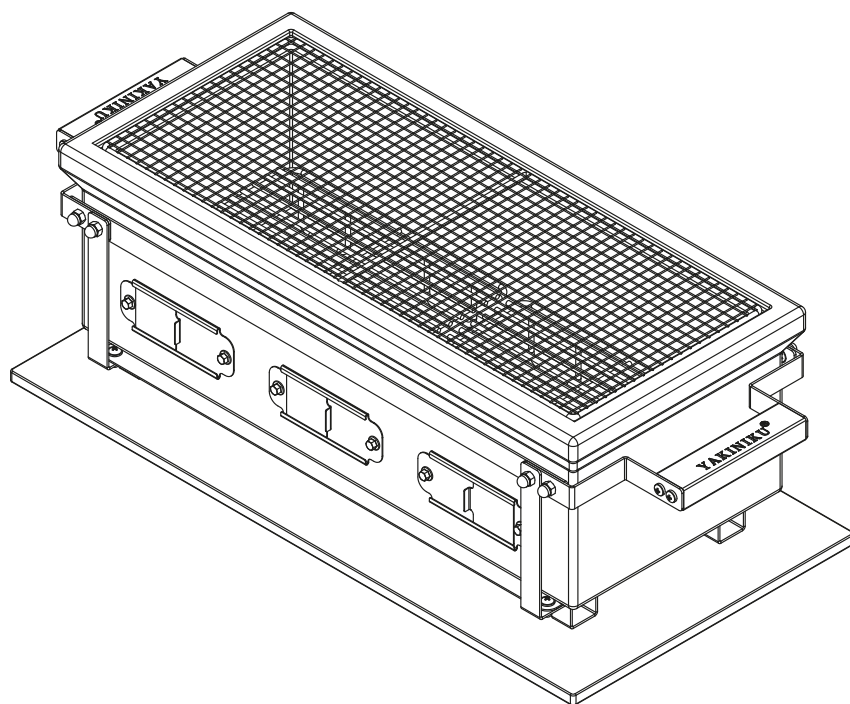
8.



9.



10.



YAKINIKU® B.V.
LANGE REKSESTRAAT 19B
4538 AZ TERNEUZEN
THE NETHERLANDS
+31 (0)88 688 0600
YAKINIKUGRILL.COM

